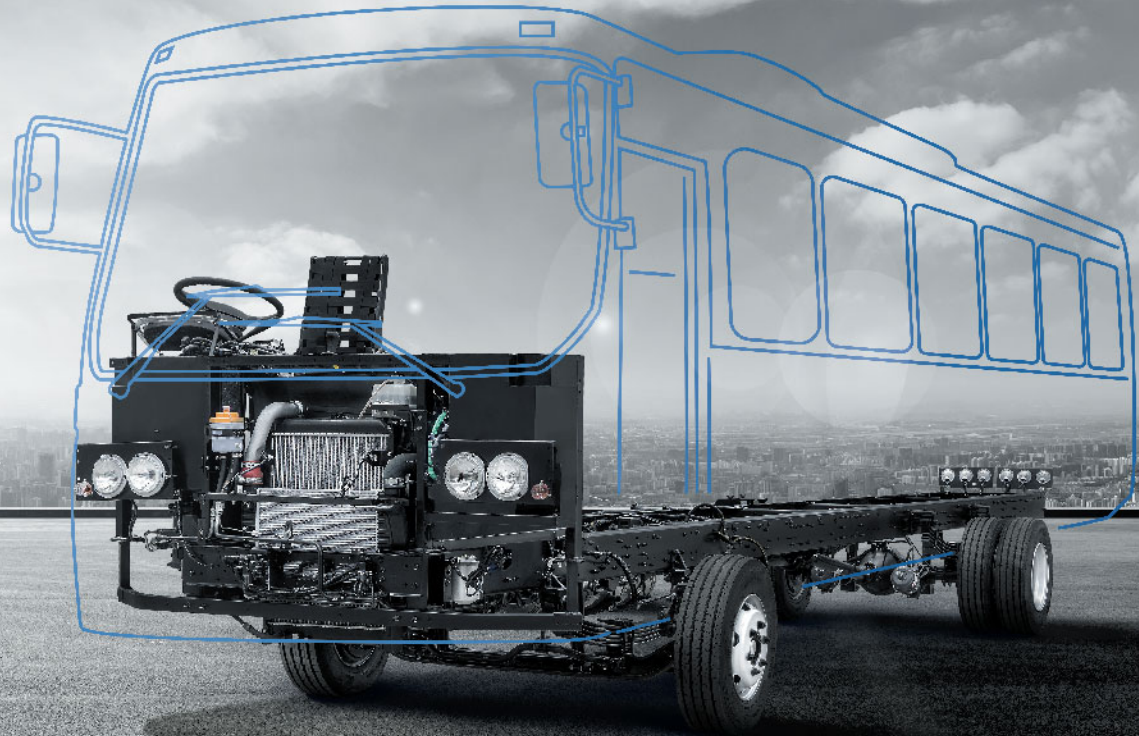


THE PERFECT CHASSIS FOR EVERY APPLICATION

Eicher Pro Chassis

The 9 to 12 Tonne GVW Chassis



EUTECH 6

EUTECH 6

Eicher is creating a new benchmark in the Indian commercial vehicle industry, through a revolutionary BSVI solution that combines global technology with innovative support services. This solution not only makes your vehicle BSVI compliant but also ensures higher productivity of the bus and profitability of your business.



Euro VI Expertise for 6 years

VECV has been manufacturing and supplying base engines to the Volvo Group since 2013. Over 1,00,000 Euro VI base engines supplied, operating in 41 countries. First to roll out BSVI CV range in India, incorporating expertise of Euro VI technology.



Efficient EATS and engine technology

Best fluid economy: Lower fuel consumption + DEF consumption combined. Reliable EATS + engine technology tested for over 56,00,000 km. Duty cycle based SCR for high reliability & low maintenance.

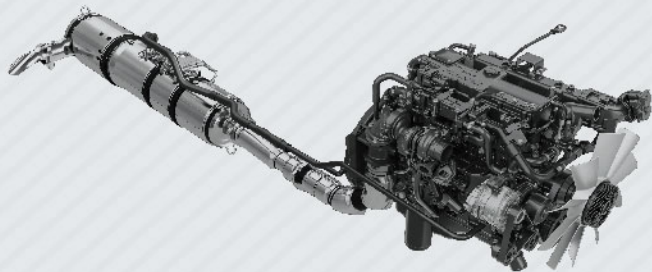


Enhanced UPTIME

Eicher Uptime Centre for 24x7 support by specialists. GPS enabled service vans just a phone call away. Remote diagnostics for quick repair of BSVI vehicles.

Pro Engine

The New Eicher Pro 3000 chassis is driven by state-of-the-art E494 engine which provides powerful performance of 160hp that is suitable for any application. The new BSVI range is fuel efficient and has a lower maintenance cost leading to higher profitability.



FUEL EFFICIENT E494 ENGINE: 4 CYLINDER, 4 VALVE, 3.8 LITRES CRS ENGINE



The New Eicher 3000 range of Pro chassis is designed to cater to the premium segment of passenger travel. Pro Chassis delivers best-in-class fuel efficiency, Superior Uptime and overall higher VLP (Vehicle Lifetime Profitability) through reliable engineering expertise of Eicher.

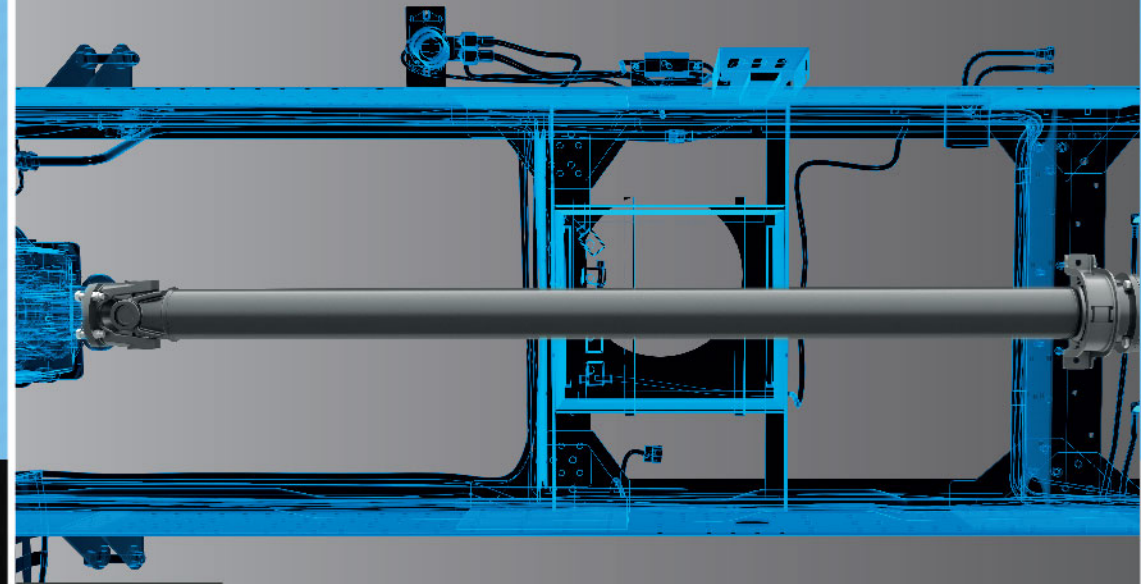


Contemporary Features.

Eicher Pro chassis range is equipped with a host of contemporary features like the all new Intelligent Driver Information System which offers driver aids along with key information of the new sensors introduced in the EATS system. The Eicher Pro series chassis has a fabricator friendly chassis design that ensures long lasting body construction.



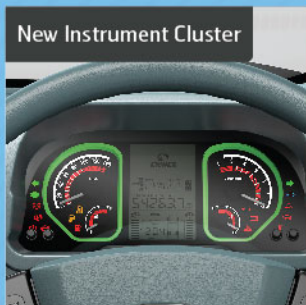
Cruise Control



LFL Propeller Shaft

Reliable & Strong Aggregates.

Equipped with reliable E494 engine, Bosch EMS and FIE, the Eicher Pro range of chassis offers a power packed and reliable performance. Over all sturdiness of the Domex® chassis and its reliable aggregates like the Clutch booster, Lubricated For Life Propeller Shaft and maintenance free suspensions ensure lifetime profitability.



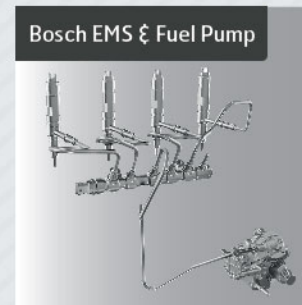
New Instrument Cluster



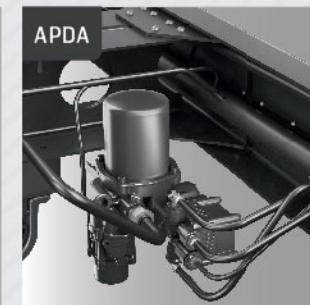
Sleek Head Lamps



Tilt, Telescopic & Collapsible Steering



Bosch EMS & Fuel Pump



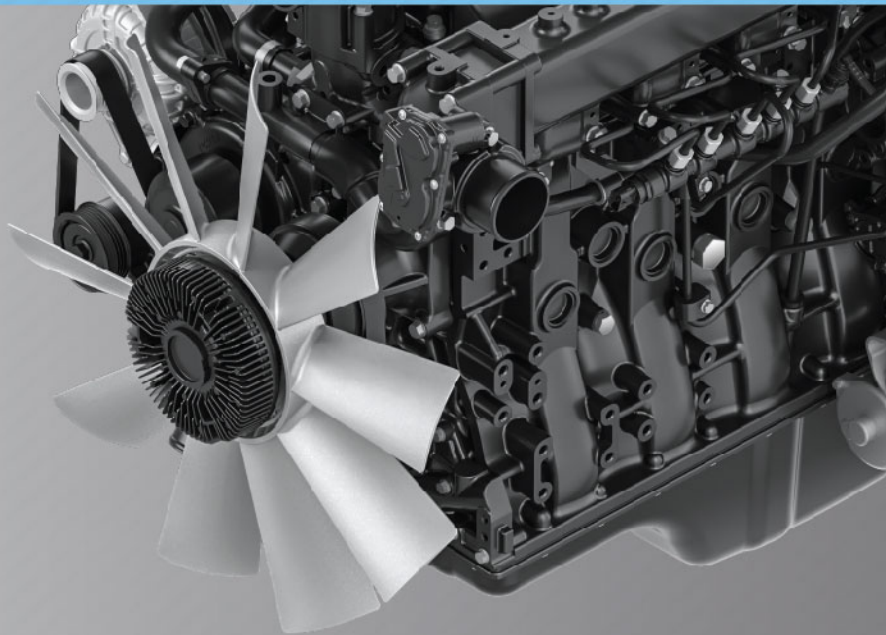
APDA



Clutch Booster With Clutch Wear Indicator

Fluid Economy.

Unique features like Mbooster+ and Fuel Coaching provide best-in-class fuel efficiency for all segments. The exclusive Eutech 6 technology guarantees optimum consumption of fuel & diesel exhaust fluid (DEF) to ensure best fluid economy.



Viscronic Fan



Radial Tubeless Tyre

Comfort & Convenience.

AC compatible chassis, Insulated sandwich type Engine hood for lesser NVH and improved Parabolic suspension with rubber tip inserts make Eicher Pro Chassis the epitome of comfort. Coupled with Radial tubeless tyre and 6 speed overdrive Gearbox to deliver a premium and comfortable experience.



Innovative Fuel Coaching With Color Band



Mbooster+



Fuel & DEF Saving EATS



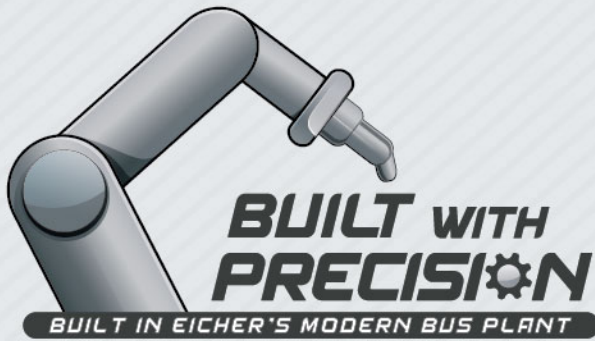
AC Compatible Chassis



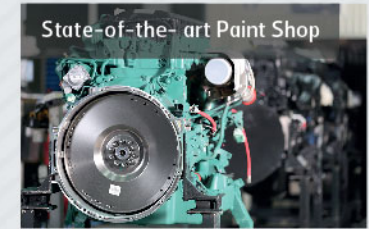
Improved Parabolic Suspension



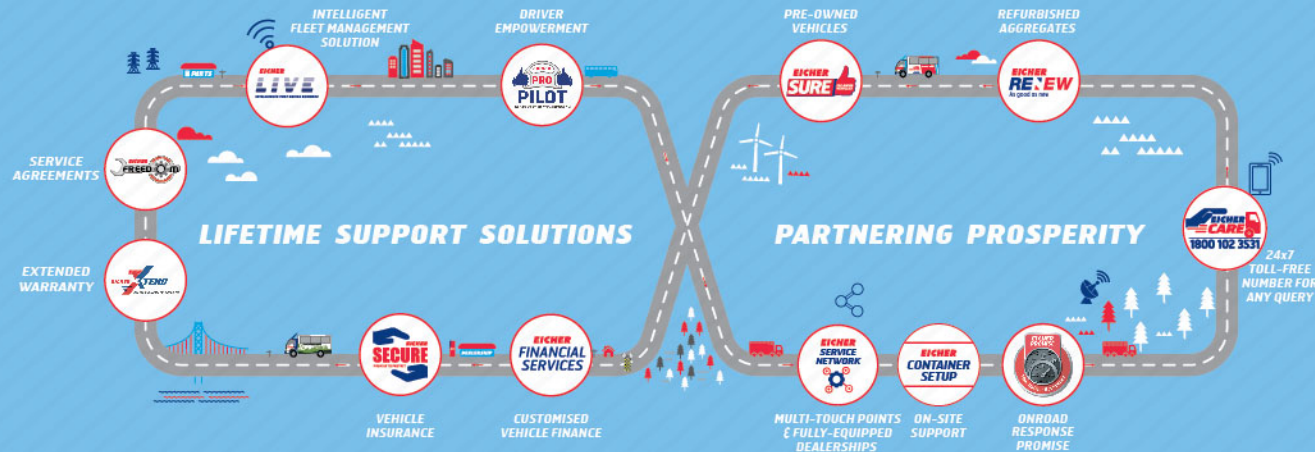
New Engine Hood



We manufacture bus chassis with high level of precision by using advanced technology like panel fitments, inverter based welding, robotic welding and pneumatic grippers in our modern Eicher Plant to deliver superior build quality.



Lifetime Support Solutions.



With our Lifetime Support Solutions, we ensure a seamless and hassle-free experience from the time you consider buying an Eicher vehicle to the time you think of selling it. Our continuously improving and holistic services will ensure higher uptime and productivity for your BSVI vehicles.

*Pro-Pilot, Eicher Sure and Eicher Container set-up is not available for Eicher Bus range



Eicher has taken a step towards achieving Superior Uptime with a responsive attitude, that will set us apart and create a differentiated experience for our customers. With our new Uptime Center and Uptime Certified Workshops, we are now geared up with a proactive support system for diagnostic assistance with advanced diagnostic tools.



At Uptime Certified Workshops only
*T&C Apply

Model Name	Pro 3009 H	Pro 3010 L	Pro 3011 L
Wheelbase (mm)	4320	5260	
Overall length (mm)	8693	10159	
Overall width (mm)		2226	
Overall height (mm)		2470	
Ground clearance (mm)		165	
Front overhang (mm)		1918	
Rear overhang (mm)	2455	2981	
Turning circle diameter (m)	15.2	18.5	
Engine make		E494	
Displacement (cc)		3770	
Power		160hp (120kW)@ 2600 rpm (NAC & AC)	
Torque		500 Nm @ 1200-1800 rpm (NAC & AC)	
Clutch (mm)		330	
Transmission make		ET40S6	
Transmission type		Synchromesh 6-Speed + 1 Rev	
GVW (tonnes)	9.8	10.6	12
Chassis type		Domex® 650	
Chassis dimension (mm)		210x76x6	
Fuel tank capacity (l)	100	160	
Brakes		Dual circuit 'S' cam full air brakes	
Tyres		235/75 R17.5 - 14PR	
Suspension		Parabolic with ARB - Front Parabolic - Rear	
Steering		Power steering	
Battery		12V, 130Ah - NAC 24V (2x12V) 130Ah - AC	
Alternator		110A - NAC, 2x120A - AC	
DEF tank capacity (l)		27	

NAC: Non Air-conditioned; AC: Air-conditioned; ARB : Anti Roll Bar



VE COMMERCIAL VEHICLES
A VOLVO GROUP AND EICHER MOTORS JOINT VENTURE
eichertrucksandbuses.com, Eicher Care: 1800 102 3531

VE COMMERCIAL VEHICLES LTD.
Registered Address – 3rd Floor Select Citywalk,
A -3 District Centre, Saket, New Delhi 110 107, India.
CIN – U74900DL2008PLC175032

CORPORATE ADDRESS
Eicher Trucks & Buses
#96, Sector – 32, Gurgaon
122001, Haryana, India.

Caution: *Do not weld or drill on chassis frame. *Accessories and features shown in pictures or elsewhere may not constitute standard fitment. *Weight mentioned is for standard configuration with standard body sizes and will change due to optional fitments. *As a result of continuous research and innovation carried out, specifications are merely indicative and are subject to change without notice.